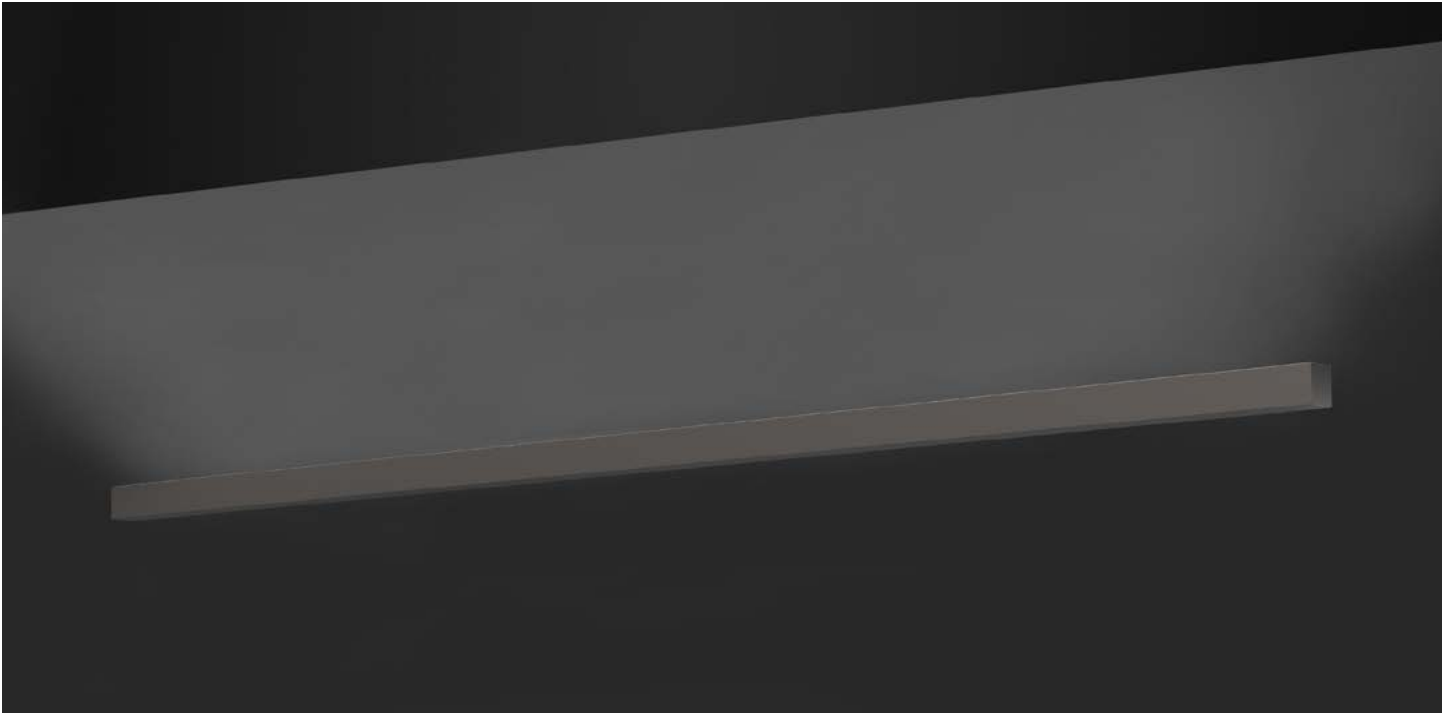


a·light
elements

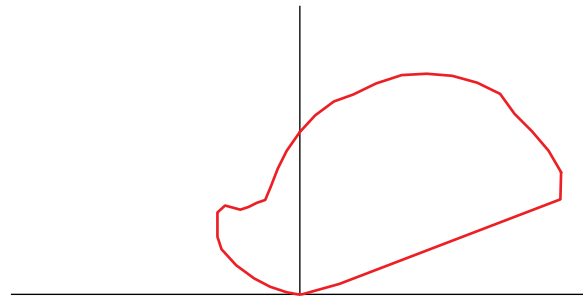
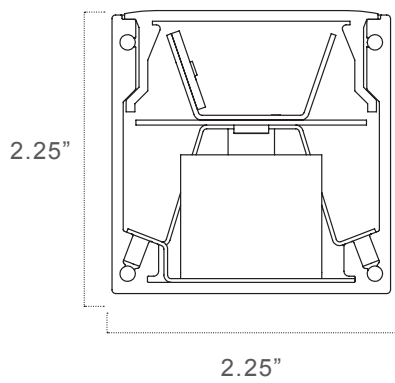


accoLED⁴
wall

indirect



wall

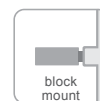


Total Lumens Delivered: 2236
Total Watts: 38
Lumens Per Watt: 58
CRI: 80+
Diode: Nichia 757
60,000+ hrs
numbers based on a 4' fixture with dust cover

Available Light Platforms:



Available Mounting:



Mounting:

Wall Blocks: Precisely milled aluminum block mounts provide minimalistic appearance. 1/2" or 1" deep. ADA compliant. (2) blocks provided per fixture, lengths 8ft or less; (3) blocks per 12ft.

Bottom Mount: Fixture sits on cove, shelf, beam, mullion or other. Power connects inside fixture using BX or MX style wiring.

Lengths:

All length dimensions are nominal, used for general length identification purposes. Actual lengths may vary by several inches. Lengths to 12' are individual fixtures and do not connect. Lengths beginning with "R" designate standard, nominal rows comprised of 4' and/or 8' sections.

Specify all modifications with the "integrations" specification sheet: nominal lengths other than the standards available here, rows longer than 24', exact lengths, patterns, span mount, mullion mount, etc.

LED:

5yr warranty. >60,000hr LED life. Tested to LM-79 and LM-80. See wattage/lumen table for specifications per foot. All specifications are subject to change.

Construction:

60% recycled aluminum extruded housing. Precision milled endcaps.

Finish:

Electrostatically applied powder coat finish.

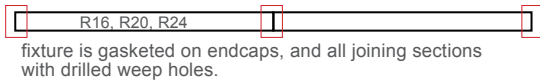
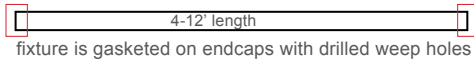
Listing:

UL/CUL. Damp Location.

Wet Label:

Specify in Options. Lens required

Wet label standards ACL4:



Family Luminaires:

accoLED1 suspended, accoLED2 suspended/wall, accoLED3 suspended/ceiling/wall, accoLED5 recessed.

Companion Luminaires:

D4 wall, G4 wall, E4 wall.

See page 4 for detailed options

Legend:

1. Contact Factory for available Multi-circuit options.
2. Lens is required for use in wet or natatorium locations.
3. Symmetric distribution uses (2) boards in cross section, doubling lumen output.
4. Symmetric Wall Graze uses a single board in cross section.
5. Not available for direct wall mount. Must choose M1, M5, or O mounting option

Series: ACL4

Dimension:

nominal 4'	4
nominal 8'	8
nominal 12'	12
nominal 16' row	R16
nominal 20' row	R20
nominal 24' row	R24

Mounting:

standard wall mount	R
wall mount blocks 1"	M1
wall mount blocks 1/2"	M5
bottom mount	O

Output:

LED standard output (5w/ft)	LS
LED high output (10w/ft)	LH

LED Temp:

3000k	30
3500k	35
4000k	40

Distribution:

symmetric ³	M
symmetric wall grazing ⁴	G
asymmetric	N

Optics:

open/no lens	O
dust cover	D

Voltage:

universal 120V - 277V	U
120V	1
277V	2

Finish:

a-lightanium™	T
satin white	W
satin black	B
other - specify RAL#	O

Options:

3.325" extrusion height option ⁵	3
dimming - specify manufacturer, model/series and voltage	D
emergency - IOTA IPL-SL-CP12 only	E
external fusing	F
multi-circuit ¹	M
new york city code	N
occupancy sensor	O
photocell/daylight sensor	P
natatorium application ²	K
wet label ²	Q

wall

cove